



Samster

KALL SOLHYBRID 395W

En kall solhybrid med hög effekt

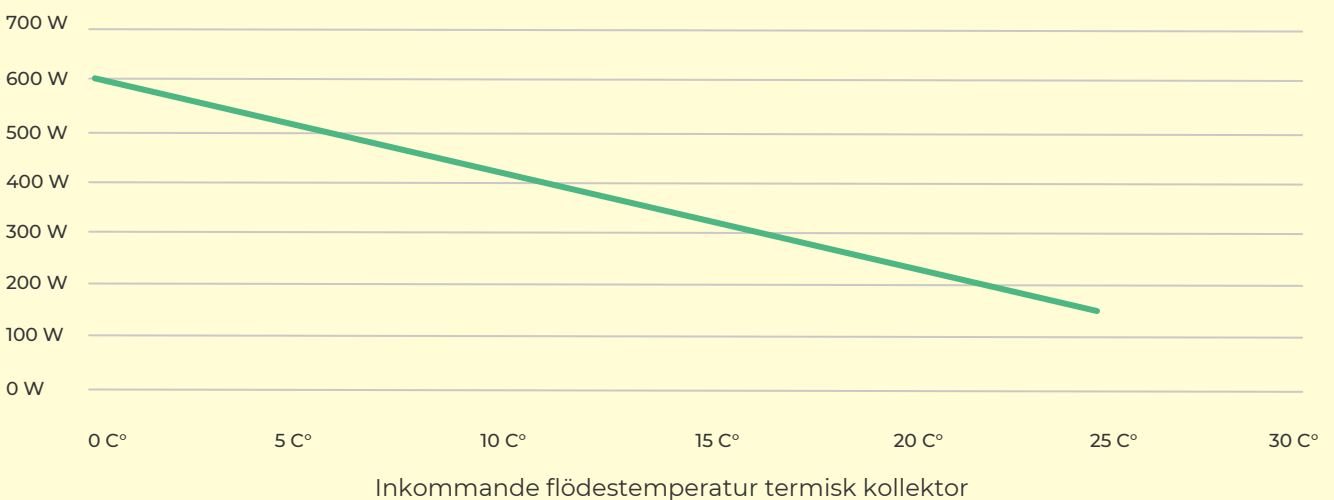
- + Upp till 20% bättre eleffekt än en vanlig solpanel
- + Höjer verkningsgraden på värmepumpssystem
- + Ger termisk energi året runt, dygnet runt*
- + Värmer kalla borrhål och borrhålar
- + Gör delvis om bergvärmepumpar till luft/vattenvärmepumpar

*Vid utetemperaturer över ca 3°C.

Samsters solhybrid har 12 års materialgaranti och 25 års effektgaranti.

TERMISK DATA

Effekt per m² vid 20°C



DATA TERMISK KOLLEKTOR

Vätskevolym	1,5 L
Vätska	Propylenglykol
Maxtemperatur	40°C
Max. drifttryck	10 bar
Tryckfall per panel	20 kPa vid 0,03 L/S
Hydraulisk anslutning	12 mm
Vikt termisk baksida	3,91 kg
Panelens area	1,955 m ²

För elektrisk och fysiska data se specifikationer för solcellspanel.

M10 HIEFF TWIN MONO BLACK by SUNPRO

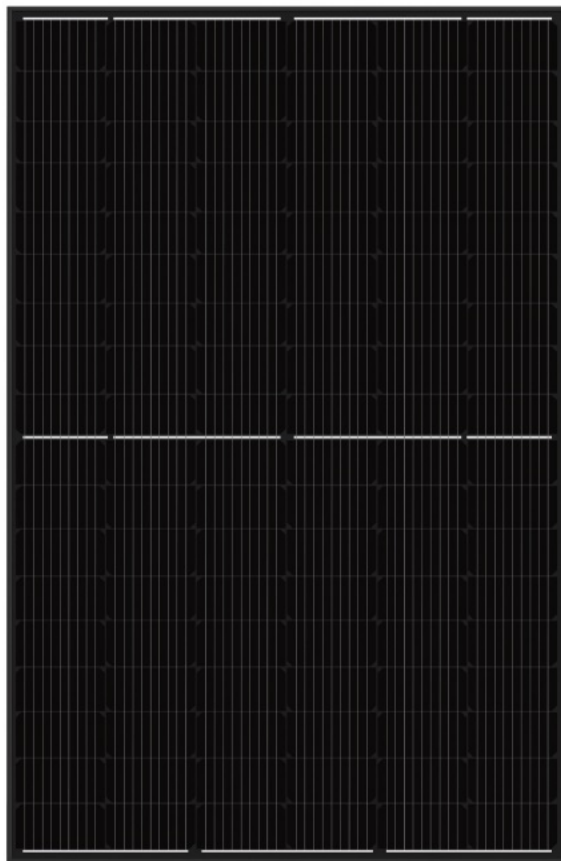
SP(390-410)W-108M10
HIGH EFFICIENCY



ISO 14001

ISO 9001

ISO 45001



POWER TOLERANCE
0~+3%



WITHSTAND STRONG SNOW LOAD
5400 Pa/ WIND LOAD 2400 Pa



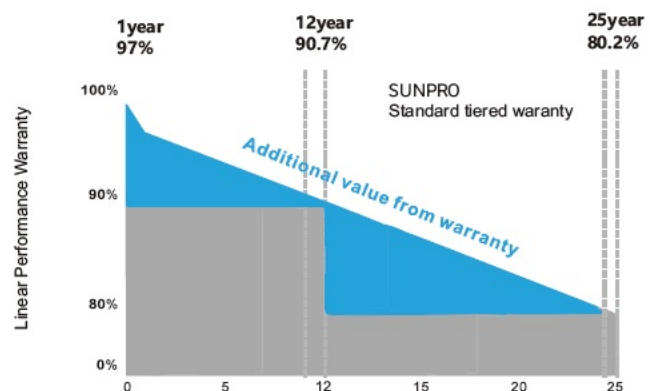
NEW TECHNOLOGY:
HIEFF UP TO 20,97%
Higher yield per surface area,
lower BOS costs, higher power classes,
and an efficiency rate of up to 20.97%.



PRODUCT WITH HIEFF BY
SUNPRO TECHNOLOGY
SUNPRO DUO combines cutting edge cell
separation and innovative 10-busbar design
with SUNPRO Technology.

Reliability & Certification

Product Guarantee: **12-year**
Linear Performance Warranty
12-year:90.7% power output
25-year:80.2% power output



Product Specification

Electrical parameters at standard test conditions
(STC:AM=1.5, 1000W/m², Cells Temperature 25°C)

Typical type	390W	395W	400W	405W	410W
Max power(Pmax)	390	395	400	405	410
Max power voltage(Vmp)	30.41	30.62	30.83	31.04	31.25
Max power current(Imp)	12.83	12.9	12.98	13.05	13.12
Open circuit voltage (Voc)	36.53	36.73	36.93	37.13	37.33
Short circuit current (Isc)	13.62	13.69	13.76	13.83	13.9
Module Efficiency(%)	19.95	20.20	20.46	20.72	20.97
Max system voltage	DC 1500V(TUV) / DC 1000V(TUV)				
Maximum Series Fuse Rating	25A				

Electrical parameters at NMOT test conditions

(NMOT:Irradiance 800W/m², Ambient Temperature 20°C, AM 1.5, Wind Speed 1m/s)

Item	390W	395W	400W	405W	410W
Max power(Pmax)	287	291	295	298	302
Max power voltage(Vmp)	34.09	34.29	34.49	34.69	34.89
Max power current(Imp)	10.60	10.65	10.70	10.75	10.80
Open circuit voltage (Voc)	28.38	28.58	28.78	28.98	29.18
Short circuit current (Isc)	10.11	10.18	10.25	10.28	10.35

Mechanical Data

Item	Specification
Dimensions	1724x1134x30mm
Weight	21.5kgs
Front glass	3.2mm, High Transmission, AR Coated Tempered Glass
Output cables	4mm ² symmetrical lengths 1100mm
Connectors	MC4 compatible IP68
Cell type	Mono-Crystalline PERC Half-Cell
Number of cells	10BB
	108 cells

Temperature Characteristics

Item	Specification
Temp.Coeff.of Isc(TK Isc)	0.05%/°C
Temp.Coeff.of Voc(TK Voc)	-0.29%/°C
Temp.Coeff.of Pmax(TK Pmax)	-0.35%/°C
Operating temperature	-40~+85°C
Normal operating cell temperature	44±2°C

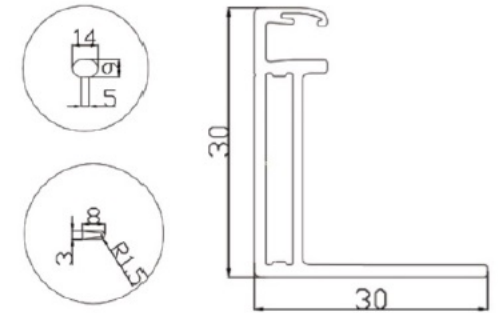
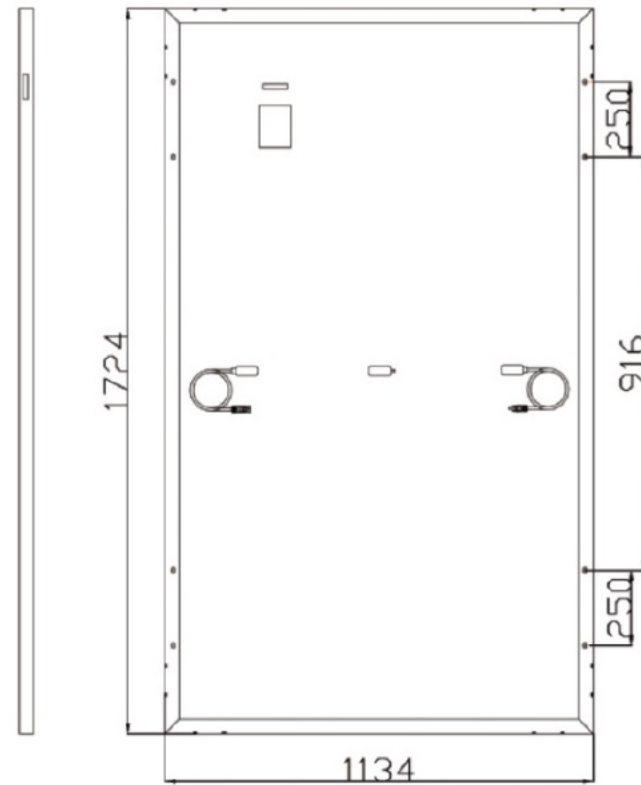
Packing Configuration

Item	Specification
Container	40'HQ
Pieces per pallet	72
Pallets per container	13
Pieces per container	936

Test, Certifications and Warranties

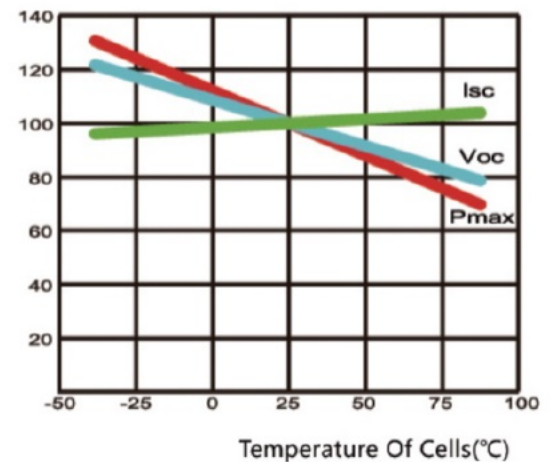
Item	Specification
Standard tests	IEC 61215, IEC 61730, IEC 61701, IEC 62716, PPP 58042B
System certs	ISO 9001, ISO14001, ISO45001
Certifications	TUV, AMMONIA AND SALT MIST CORROSION, ANTI-PID, CE, WEEE, INMERTRO
Extreme wind and snow loads testing	Withstand extreme wind(2400 Pascal) and snow loads(5400 Pascal)
Power tolerance	0~+3%
Junction box	IP68
Warranties	12 years product warranty and 25 years 80% of power

Dimensions and Structure



I-V Curve

I-V characteristics at different temperature



I-V characteristics at different tempera

